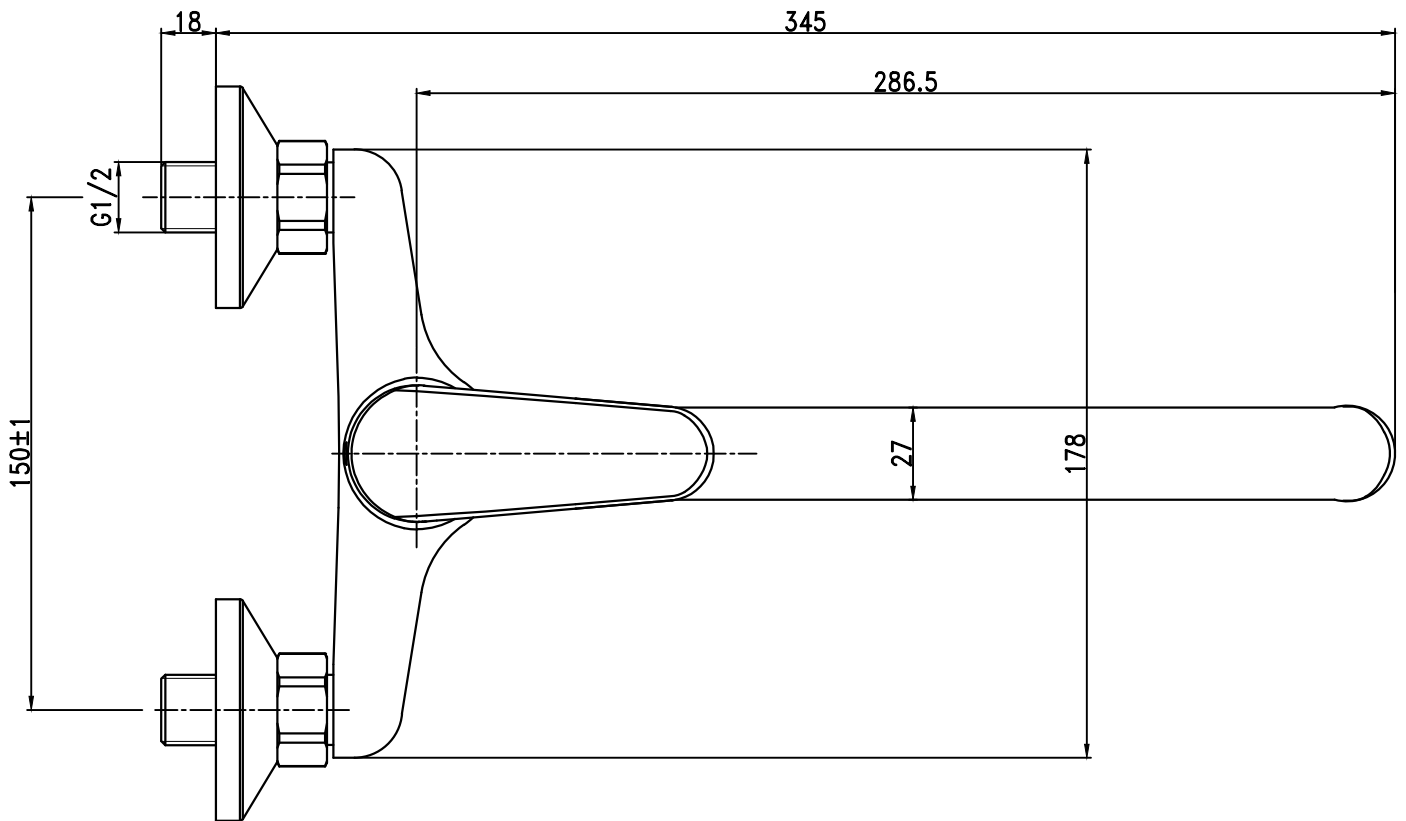
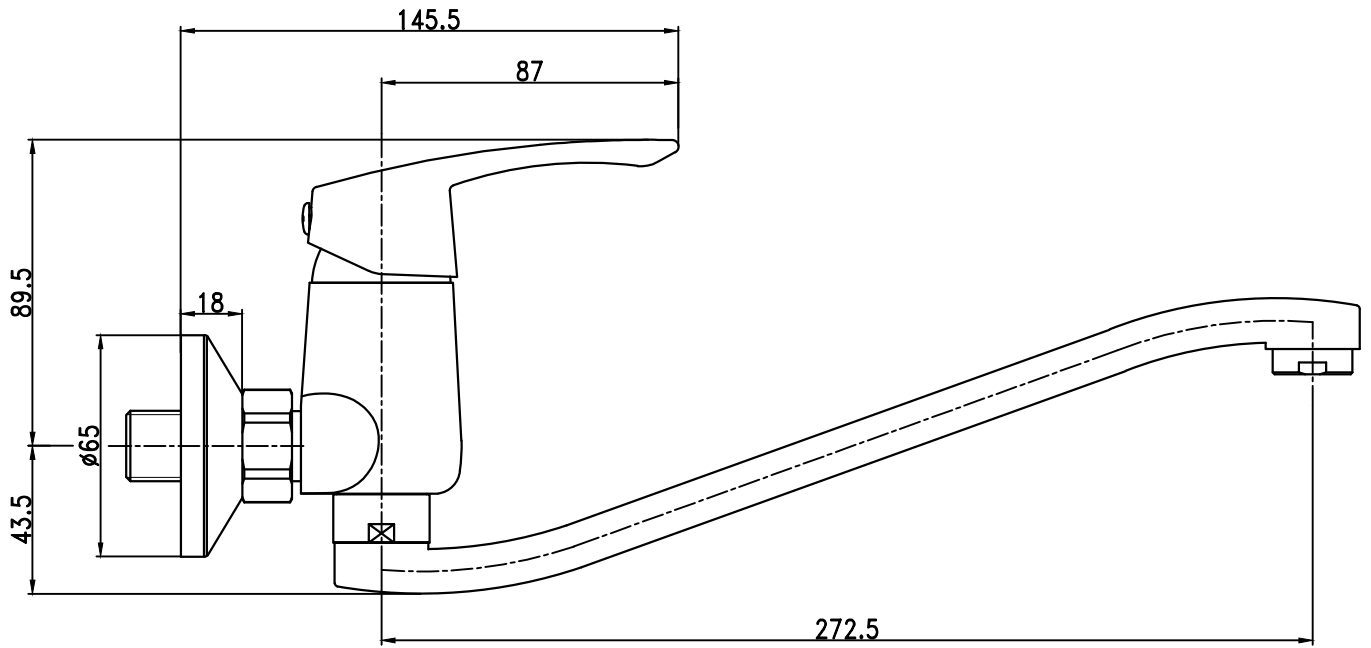


JB SANITARY



L10 35 40